

# DEBOXING AND INSTALLATION INSTRUCTIONS

1. Vault cabinets are shipped in wood crates that are designed and constructed to ensure they are protected during transport. The massive wood crates include thick foam insulation.



2. Snap the metal bands with shears.



3. Beginning with the top, remove all of the screws with a portable drill and discard the lid.



4. Remove the front side of the crate, then remove both sides.



5. Using a pallet jack, raise cabinet and screw leg levelers into the bottom of each frame.



6. With the leg levelers installed, raise cabinet on pallet jack and move into position.



7. With cabinet in position and using a level, raise and lower leg levelers until it is level with the floor and adjoining cabinets.



# REMOVING PROTECTIVE FILM INSTRUCTIONS

Your VAULT cabinets have a protective vinyl film that covers many surfaces. It is necessary to use protective film for two purposes:

- (a) To protect metal parts from damage during manufacturing AND
- (2) Prevent scratches to the panels during assembly and transit.

A key to make removal of the protective film easier is to remove large sections, versus small sections.

Start with a corner and/or corner and crumple the film until it bunches up and begin pulling sections that are 12" in width across or larger. Once you get a large section started, the wrap will pull off the metal much more easily. The key lies in pulling large sections. Small sections will simply break off and you'll have to restart the process over.





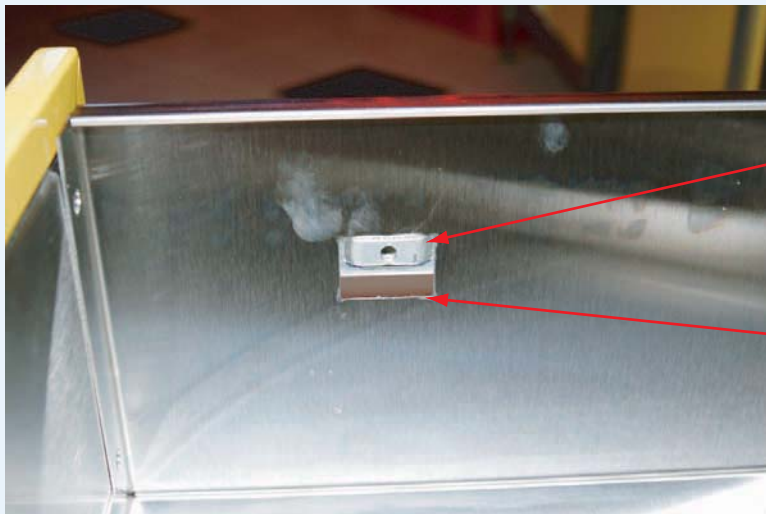
## ADJUSTING DRAWER BODIES AND THEIR OPERATION

VAULT® has designed our drawers so that they can be easily removed to make cleaning easier. To remove the drawer, simply pull the drawer open and lift the drawer up and outward.

*[Note: Your drawer can be permanently fixed, preventing its removal, by using a screw through the front pocket hole, or bending the locking tab but we DO NOT recommend this option because it is not necessary and permanently alters your cabinets.]*

It is not uncommon for drawer bodies to rattle during transportation to the extent where they become misadjusted or lift off the drawer slides during transportation.

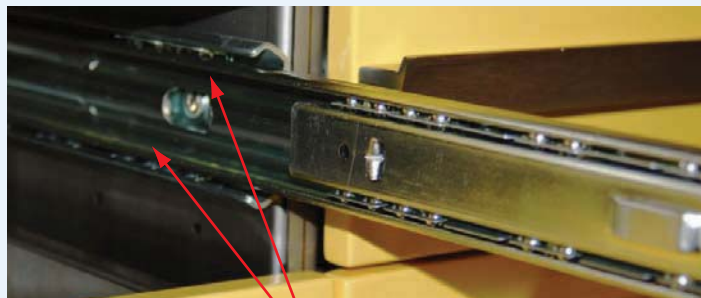
To install the drawer on the slide, position the rear drawer tabs into both rear slide pockets on the slides. Guide front tabs into front pockets and push firmly into place making sure drawer that the cut-out tabs on the drawers fit snugly into the drawer pockets.



Pocket on drawer slide

There are two cut out tabs on each side of a drawer body which fit into the drawer slide pockets.

If your drawer slides do not operate smoothly, place a small amount of White Lithium Grease (non-aerosol) on the stainless steel ball bearings and the ridge of their travel. Operate the slide back and forth until the entire travel is liberally covered with grease and operating smoothly.



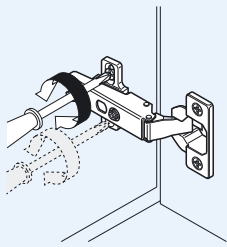
This is the drawer slide "travel" and location to place a small amount of white lithium grease.

## DOOR ADJUSTMENT

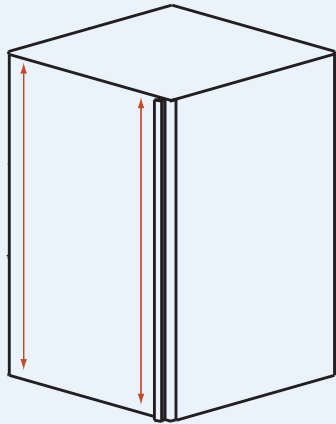
Now that all the cabinets are installed, it is time to align doors and drawers. This is a critical, final step to ensure perfect cabinetry lines.

All VAULT® cabinets have fully adjustable hinges manufactured by industry leader 'Blum'. Should the doors on your VAULT® cabinets come out of alignment over time (*such as rubbing against the frame*), you can easily adjust them in 3 directions, using a Phillips head type screwdriver and following these easy instructions. If you need additional technical support on adjusting your Blum hinges, you may call the manufacturer directly at (800) 438-6788.

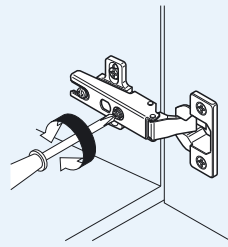
### DOOR HEIGHT ADJUSTMENT



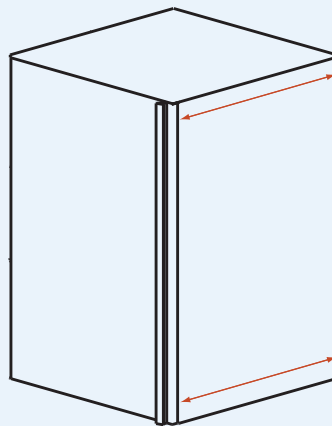
Use these two screws to adjust the height of the doors and/or align the top and bottom of the doors.



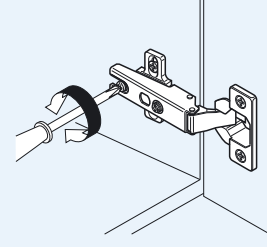
### SIDE ADJUSTMENT



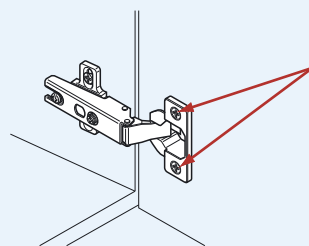
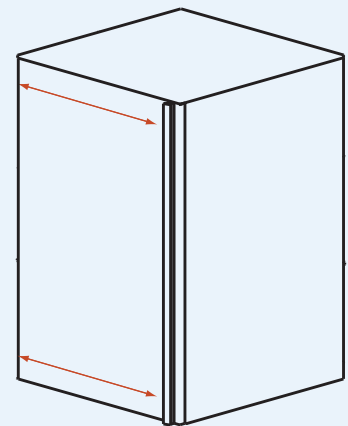
Use this screw to adjust the gap between doors, walls and other cabinets for parallel alignment.



### DOOR DEPTH ADJUSTMENT



Use this screw to bring to door into alignment with neighboring cabinet doors/drawers.



**IMPORTANT:** *DO NOT* adjust these two screws as doing so can void your warranty. These screws mount the door hinge to your cabinet and are not meant to be adjusted.